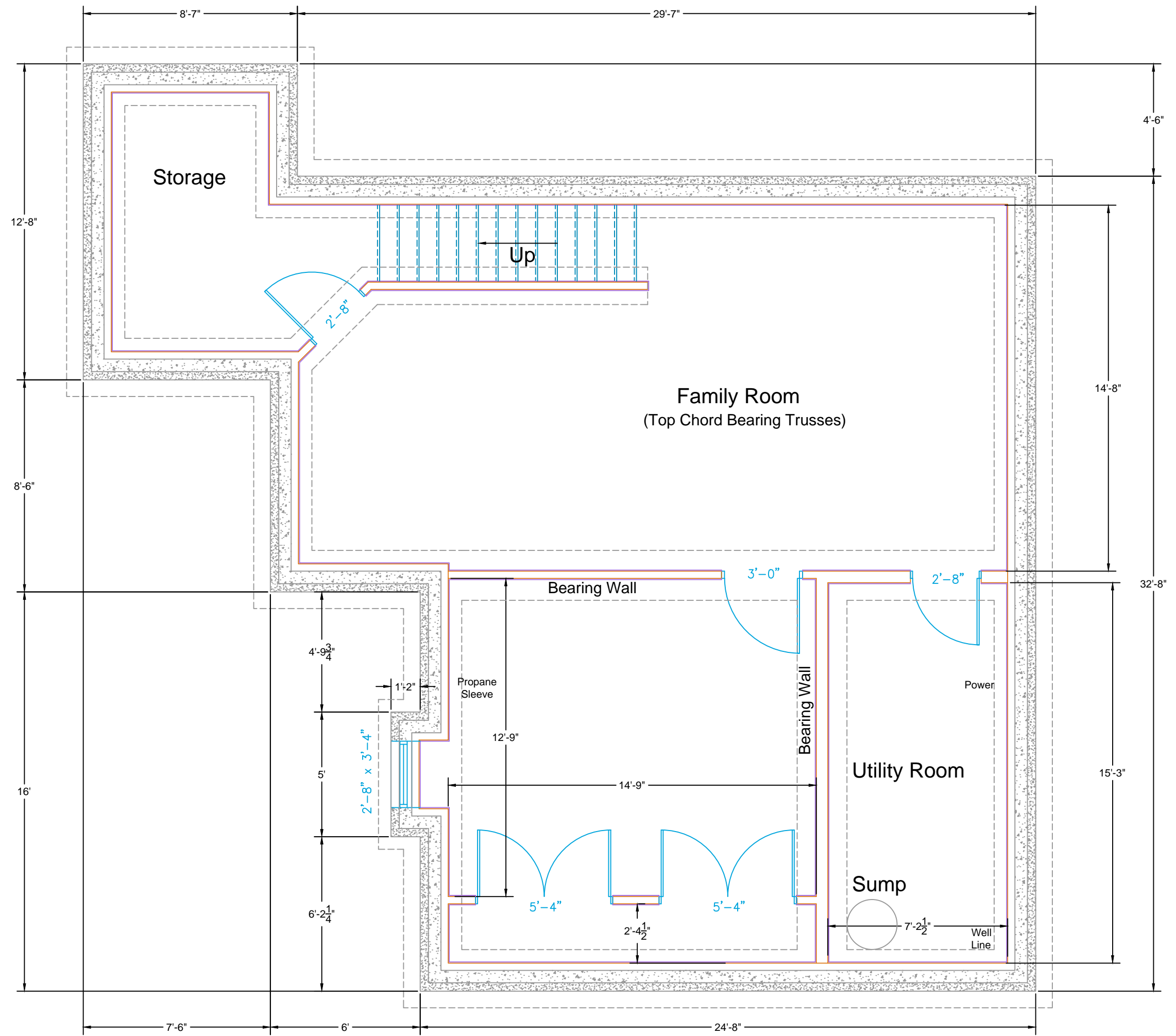
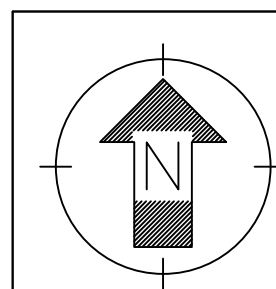


Typ Cross Section



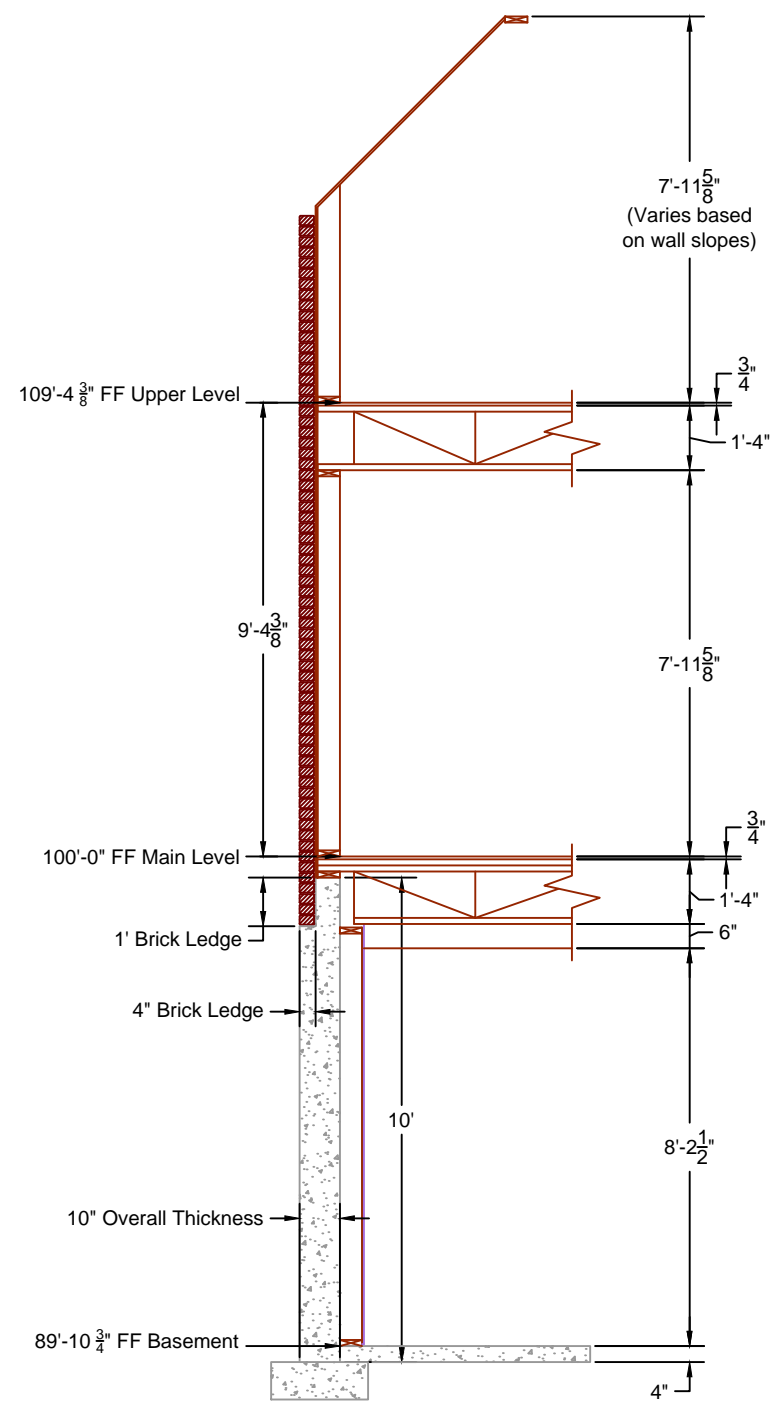
Foundation Plan



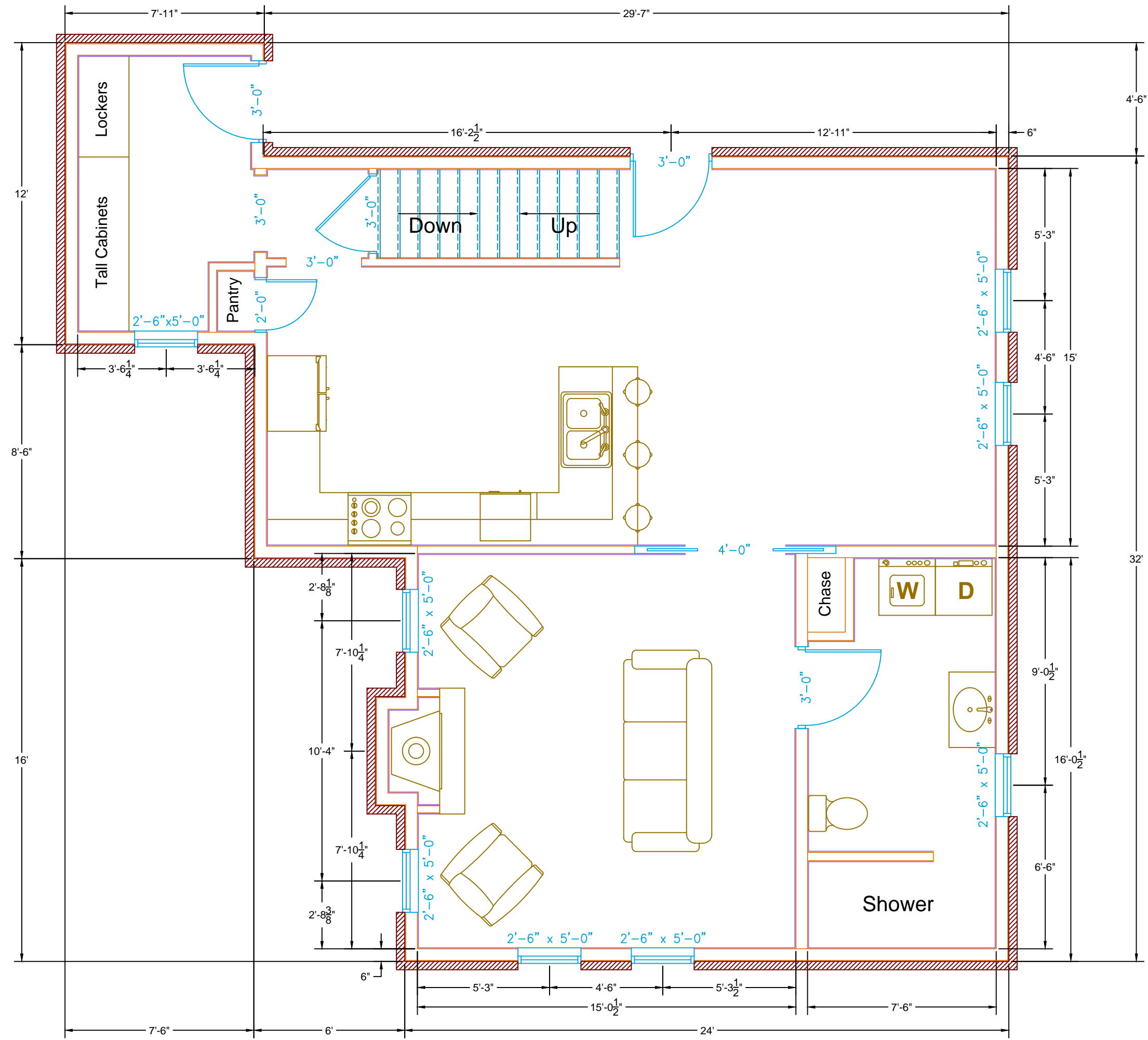
Date:	3/23/15
Drawn By:	JN
Dwg. File:	KWH
Dwg. Rev:	00
Description:	Kevin Wulf House Foundation Plan

RIVERVIEW

This drawing is the property of Riverview, LLP, and is not to be reproduced in any manner without permission.

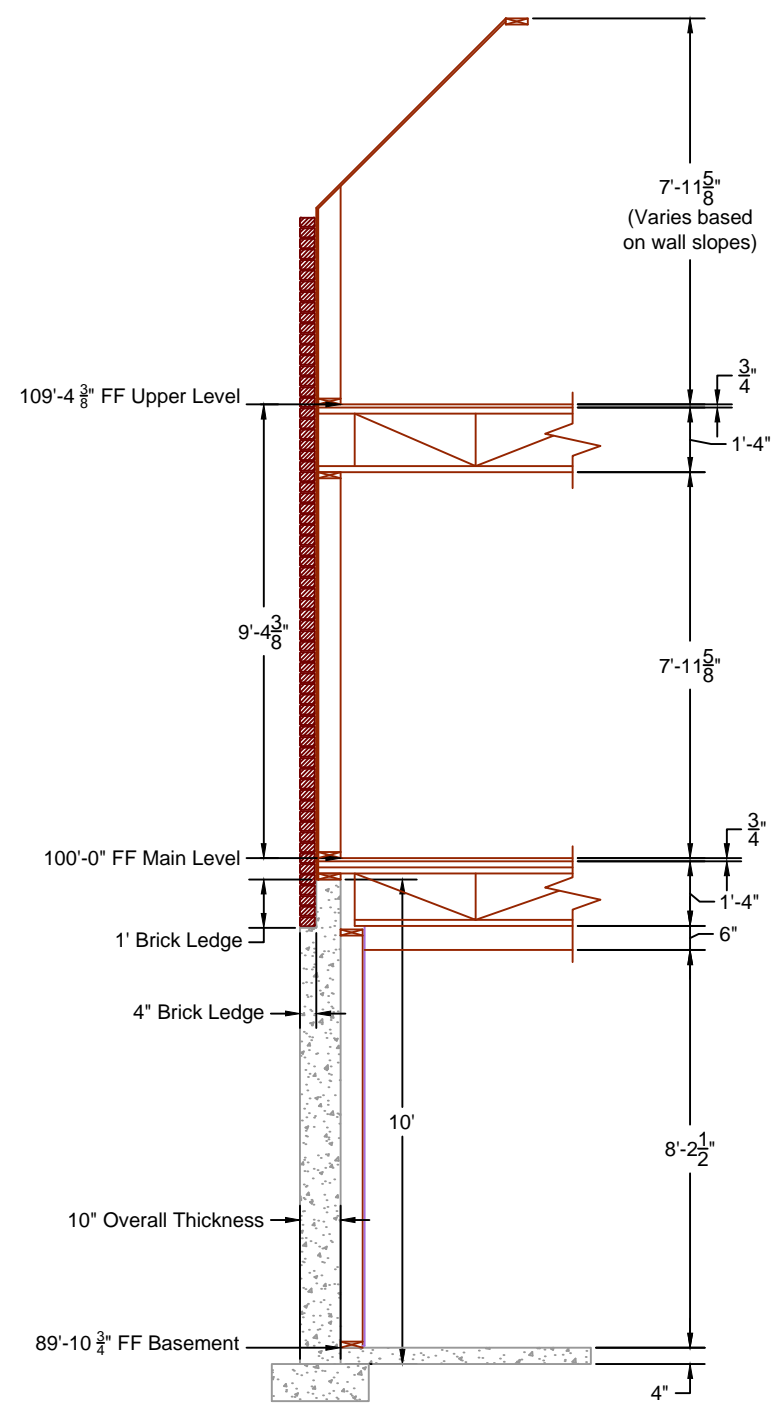


Typ Cross Section

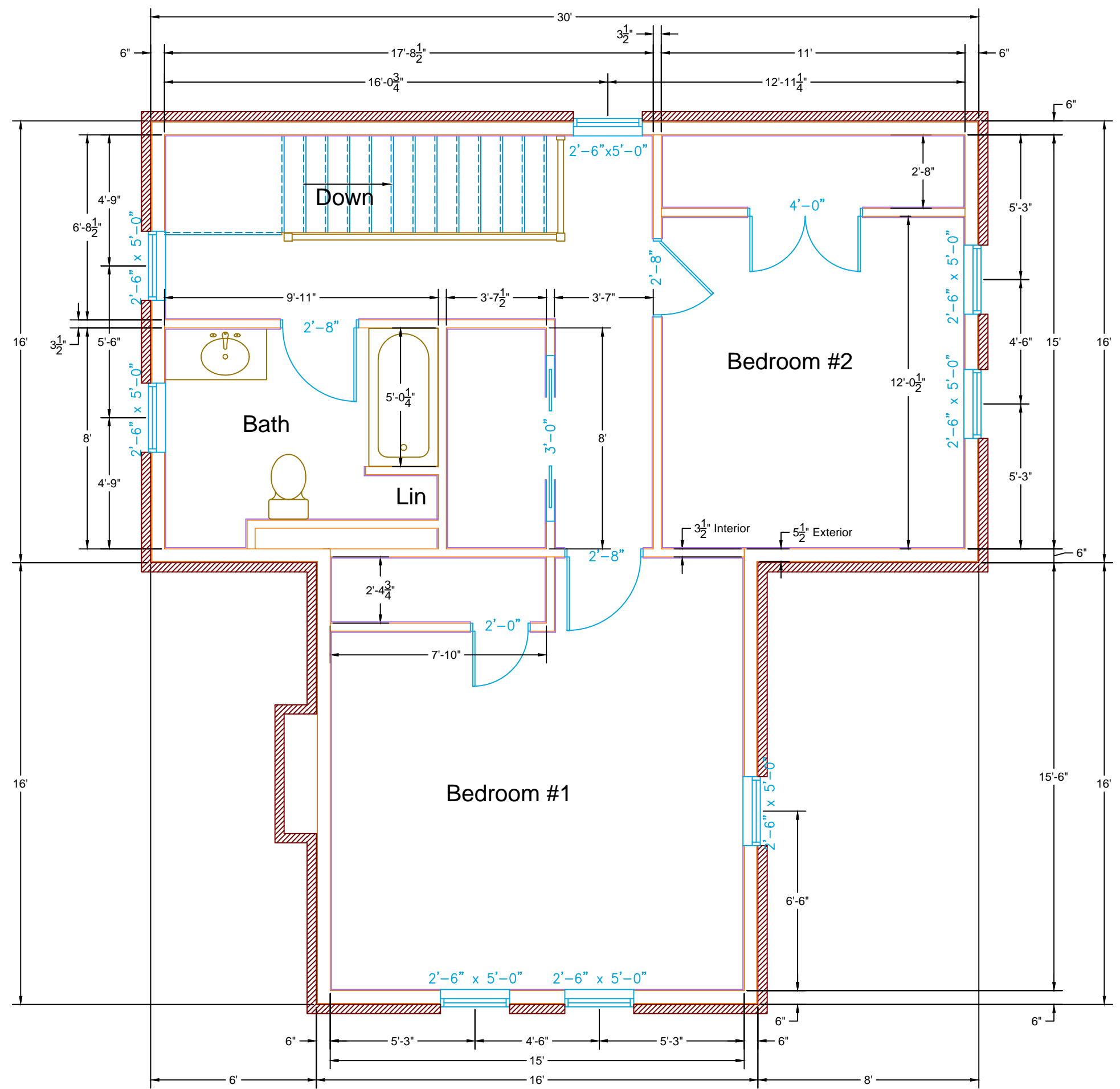


Main Floor Plan

	Date: 3/23/15	
	Drawn By: JN	
	Dwg. File: KWH	
	Dwg. Rev: 00	
	Description: Kevin Wulf House Main Floor Plan	
<small>This drawing is the property of Riverview, LLP, and is not to be reproduced in any manner without permission.</small>		

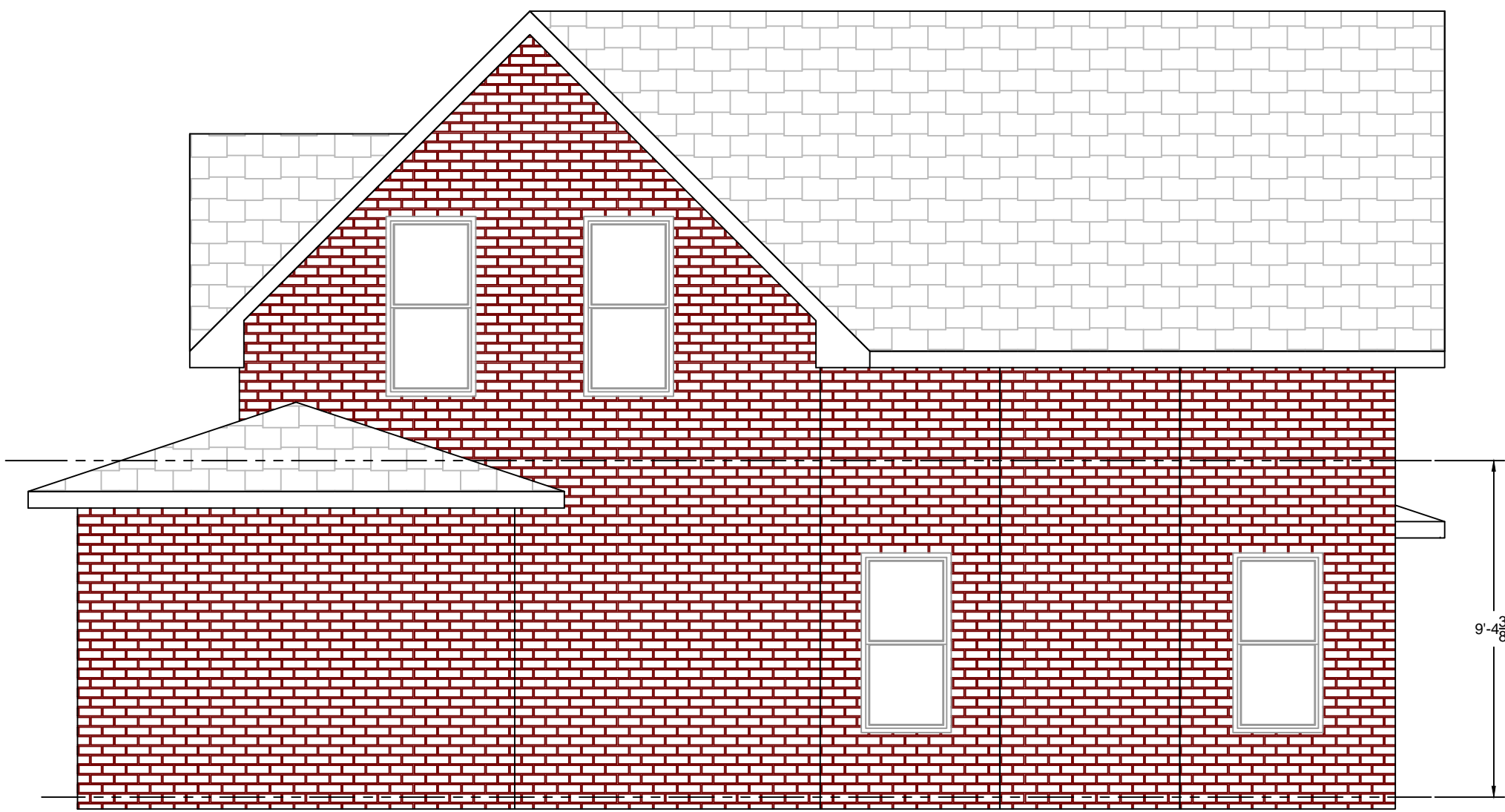


Typ Cross Section

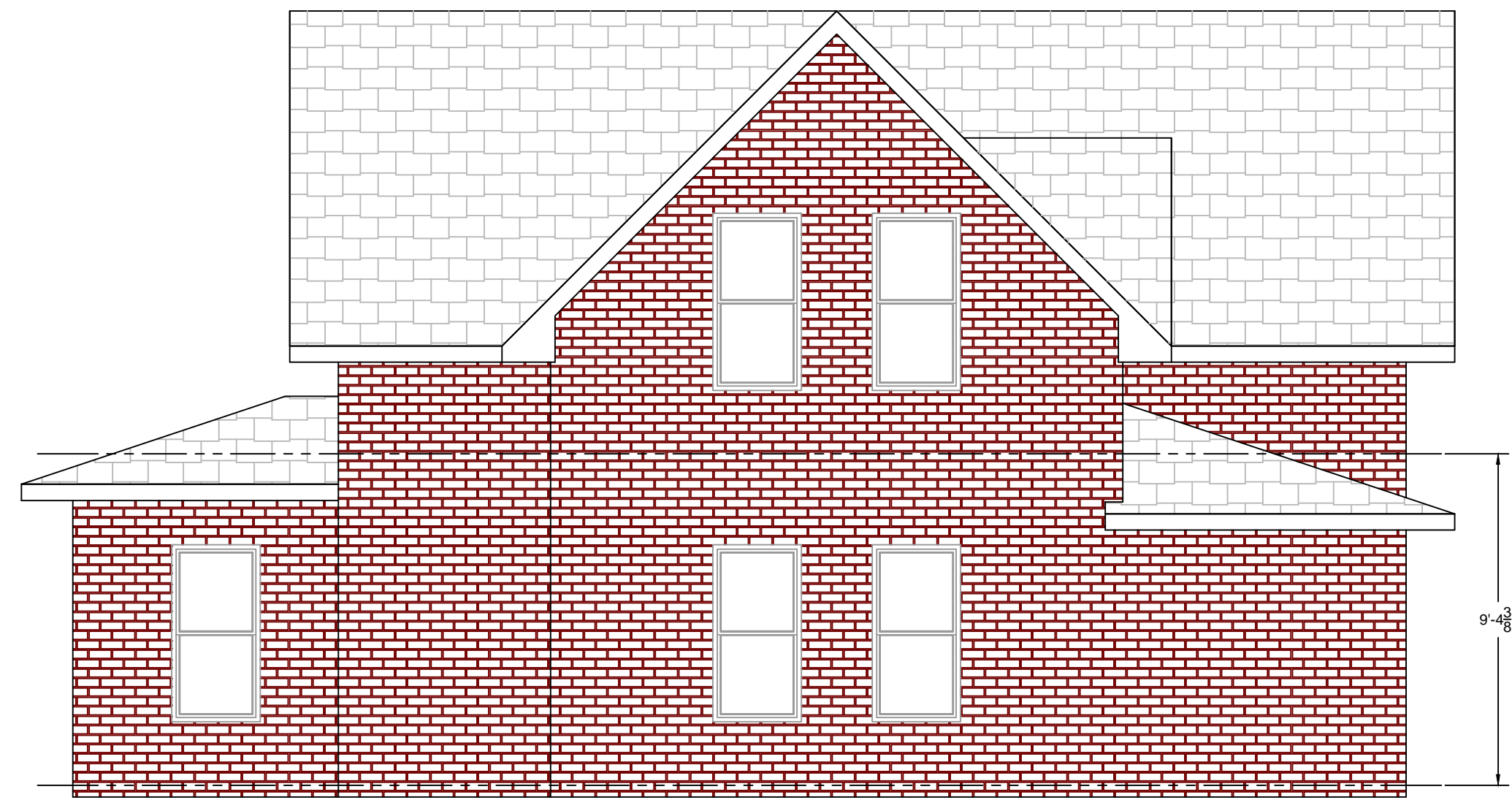


Upper Floor Plan

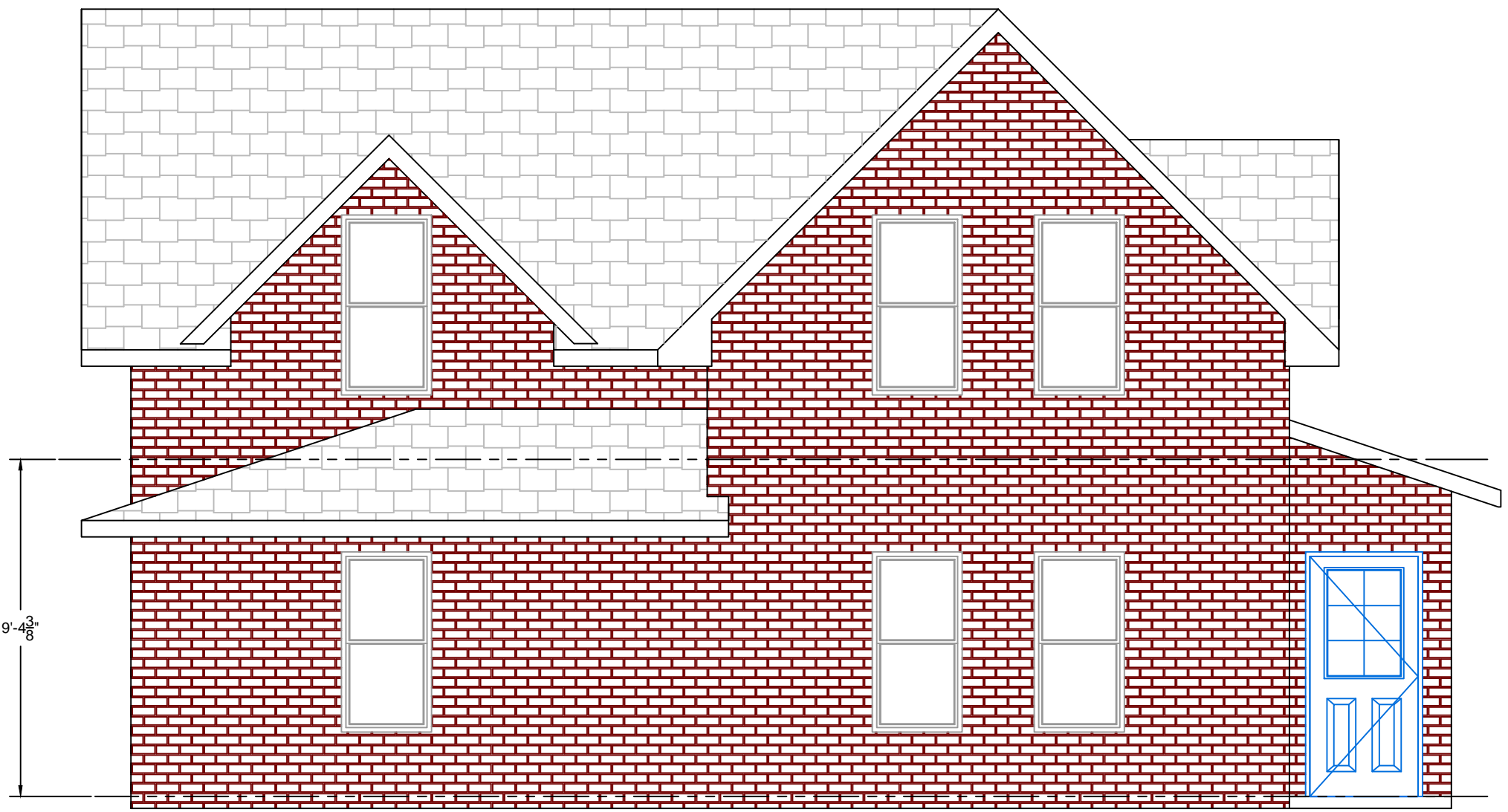
	Date: 3/23/15	<p>RIVERVIEW</p> <p>This drawing is the property of Riverview, LLP, and is not to be reproduced in any manner without permission.</p>
	Drawn By: JN	
	Dwg. File: KWH	
	Dwg. Rev: 00	
	Description: Kevin Wulf House Upper Floor Plan	



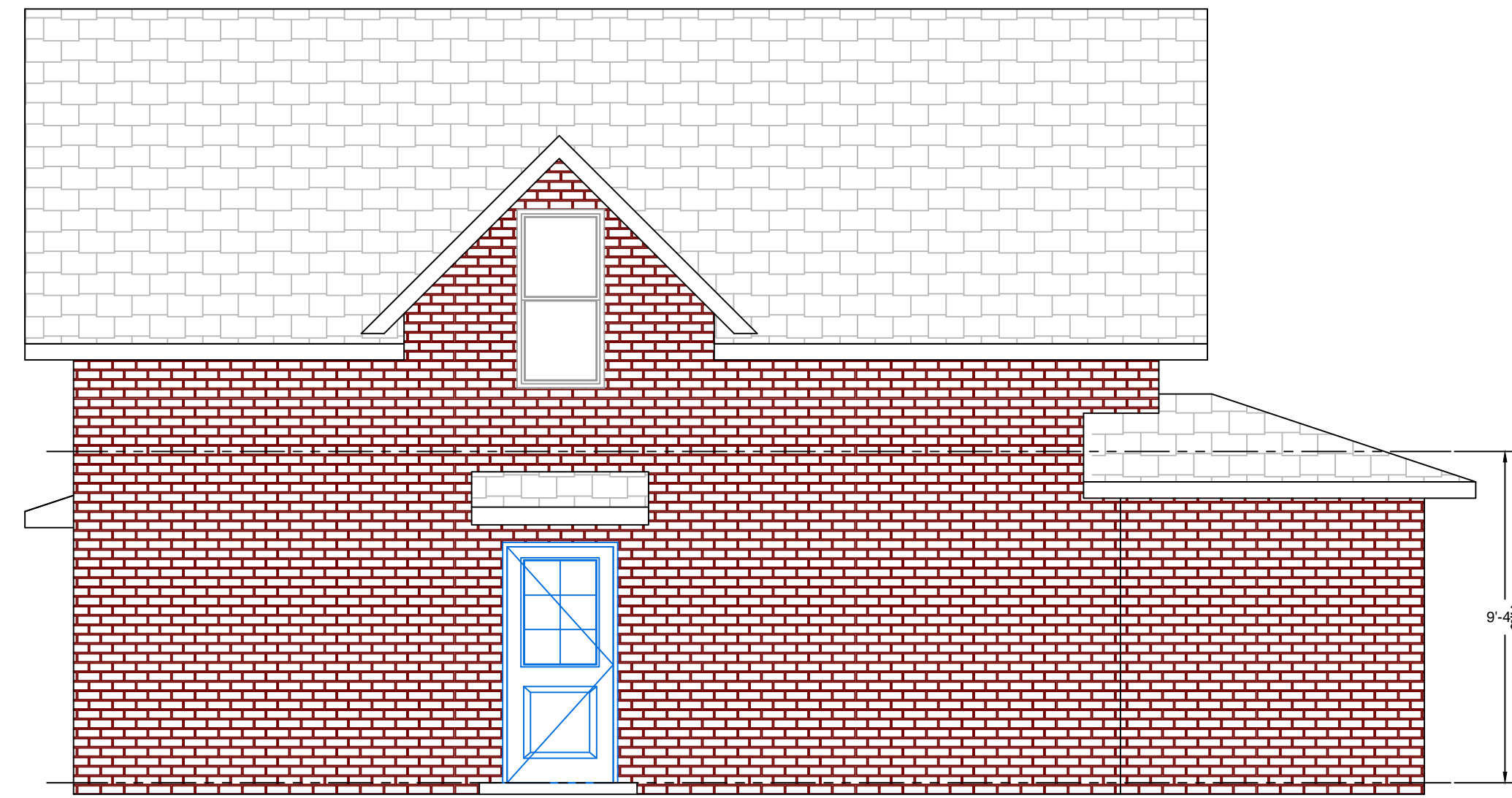
West Elevation



South Elevation



East Elevation



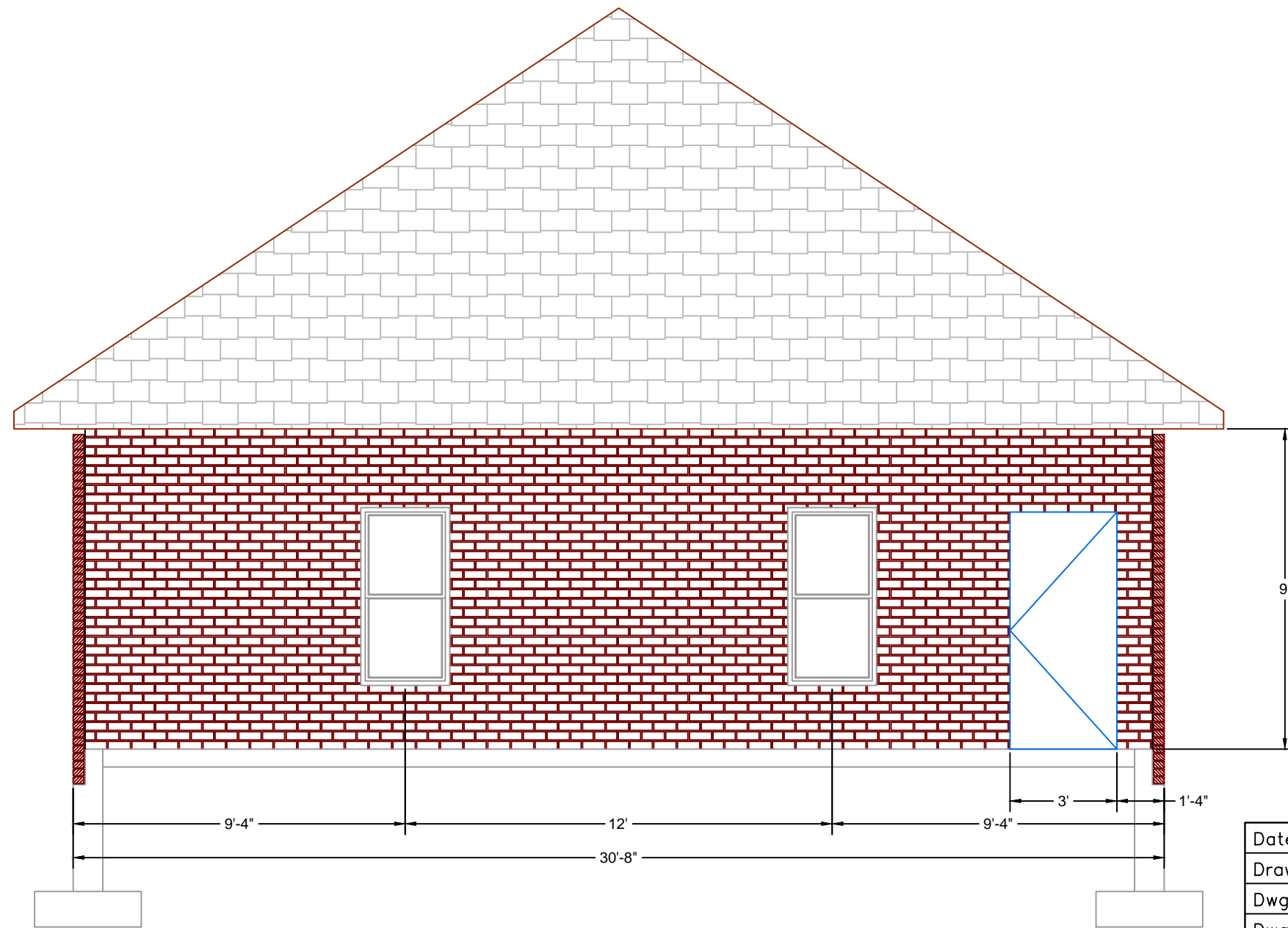
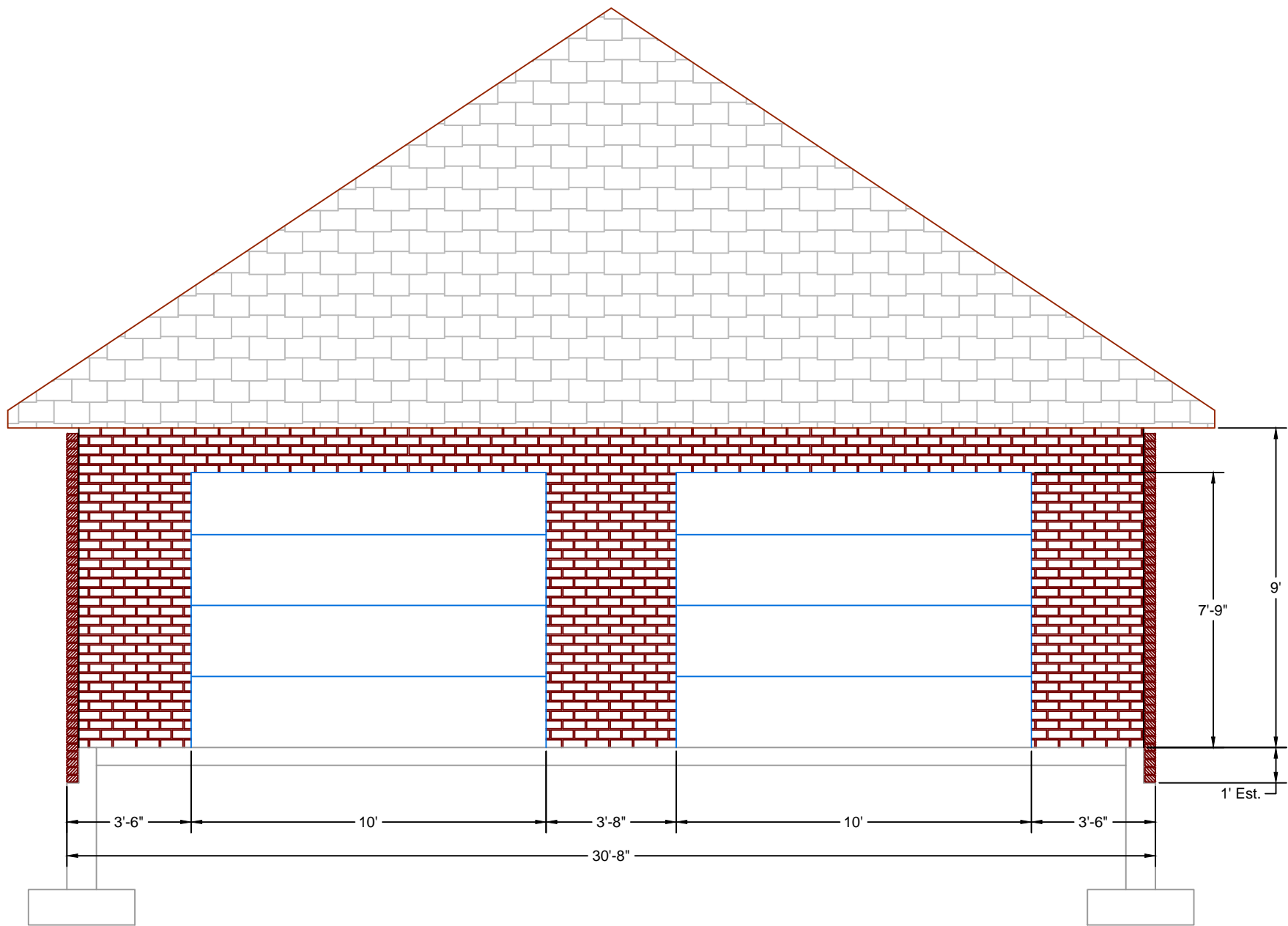
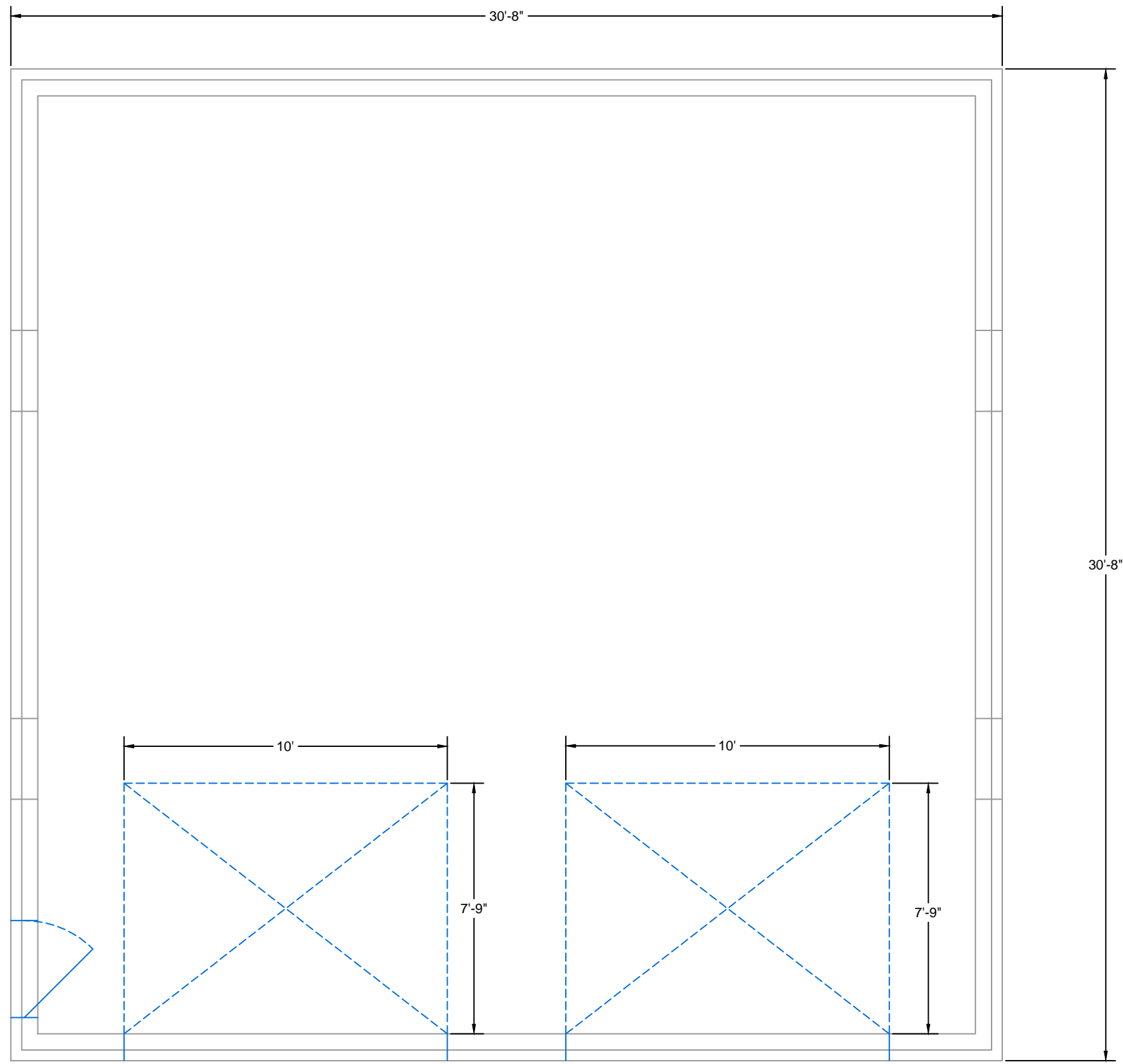
North Elevation

Date: 3/23/15
 Drawn By: JN
 Dwg. File: KWH
 Dwg. Rev: 00

Description:
 Kevin Wulf House
 Upper Floor Plan

RIVERVIEW

This drawing is the property of Riverview, LLP, and is not to be reproduced in any manner without permission.



Date: 3/23/15
 Drawn By: JN
 Dwg. File: KWH
 Dwg. Rev: 00

Description:
 Kevin Wulf House
 Garage Plan

RIVERVIEW
 This drawing is the property of Riverview, LLP, and is not to be reproduced in any manner without permission.